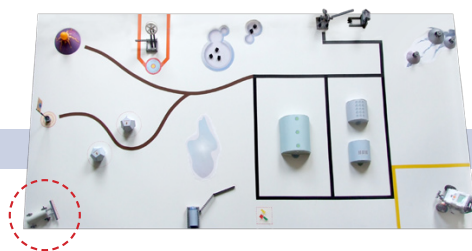
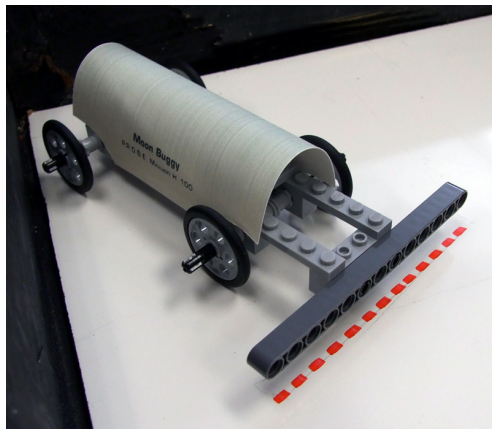
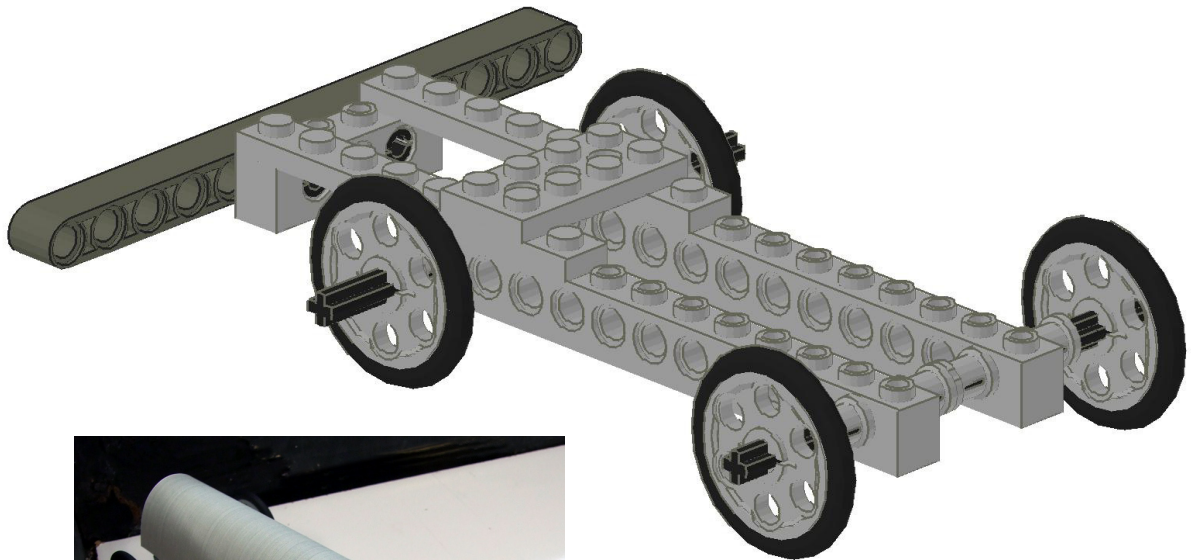


D E E P S P A C E
TERRAFORMERS

Moon Buggy

Building Instructions



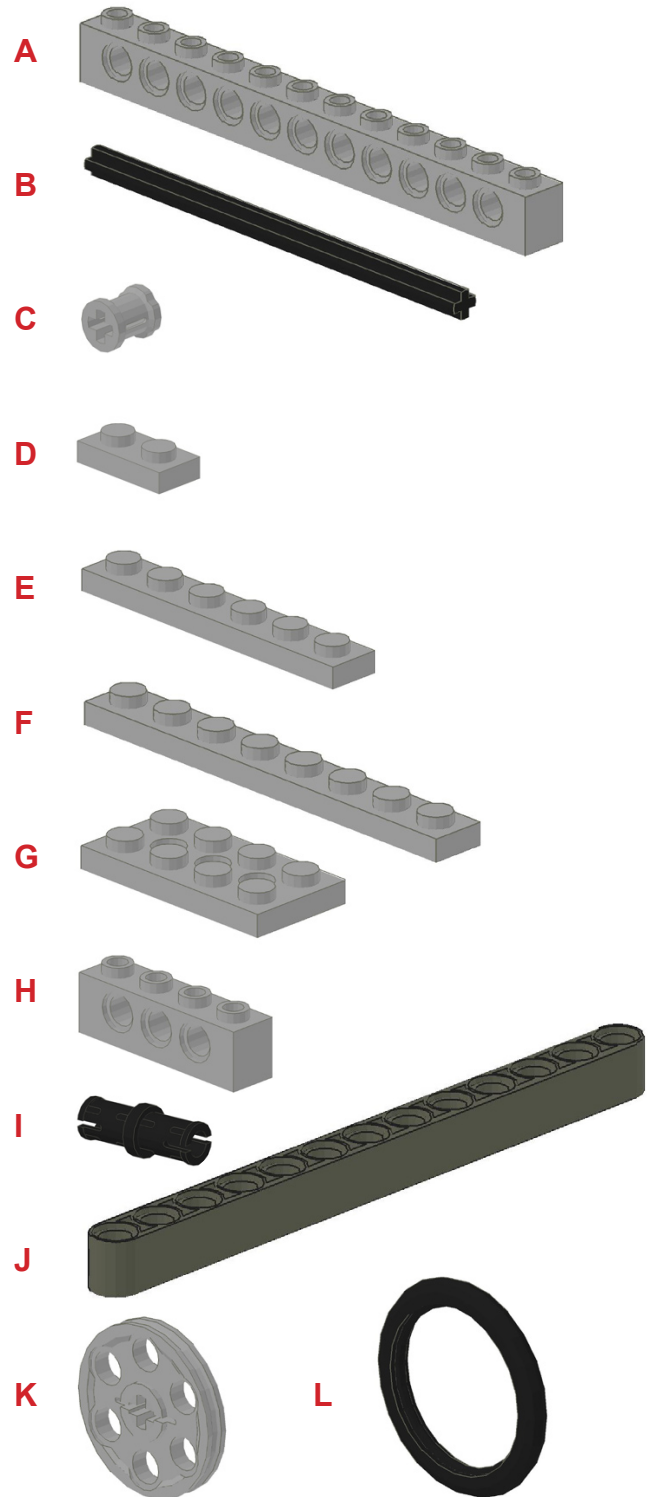
Moon Buggy

Materials

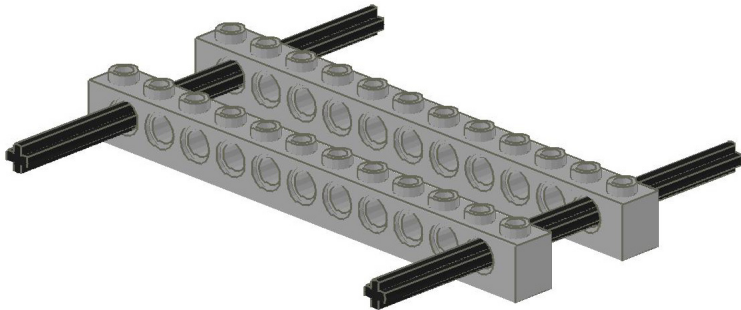
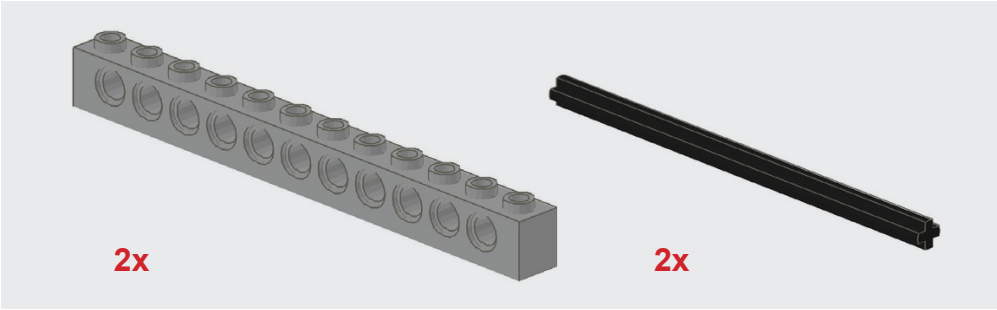
- 2X** TECHNIC Brick 1 by 12 with Holes **A**
- 2X** TECHNIC Axle 10 **B**
- 8X** TECHNIC Bush **C**
- 1X** Plate 1 x 2 **D**
- 1X** Plate 1 x 6 **E**
- 1X** Plate 1 x 8 **F**
- 1X** TECHNIC Plate 2 x 4 with Holes **G**
- 1X** TECHNIC Brick 1 x 4 with Holes **H**
- 2X** TECHNIC Pin with Friction **I**
- 1X** TECHNIC Beam 13 **J**
- 4X** TECHNIC Wedge Belt Wheel **K**
- 4X** TECHNIC Wedge Belt Wheel Tyre **L**

Additional materials:

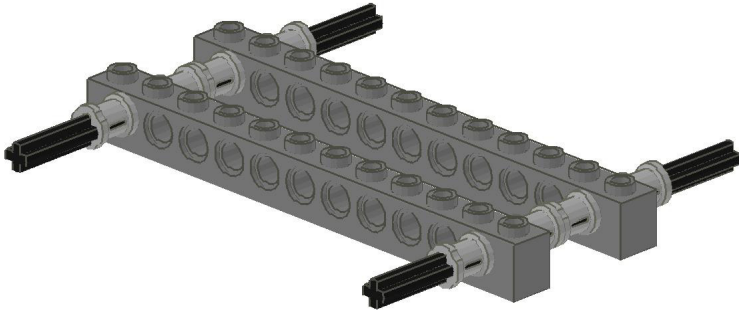
Moon Buggy paper theming



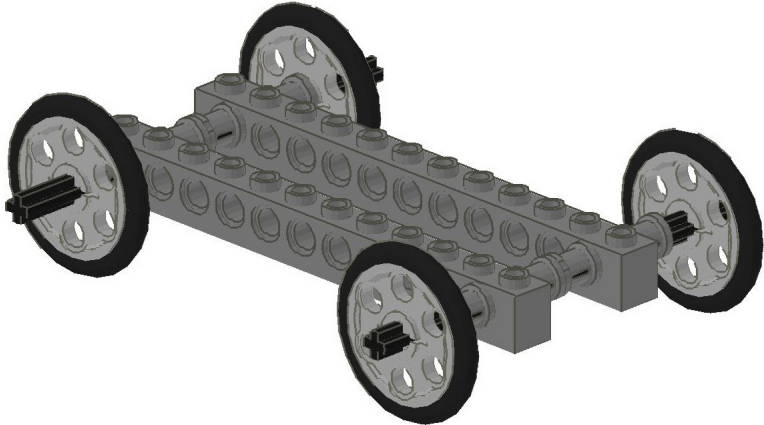
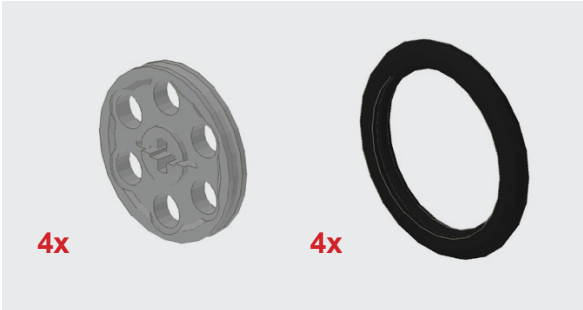
One



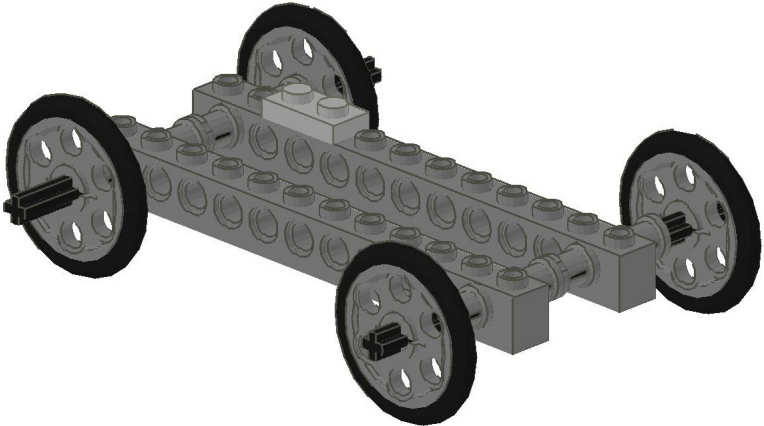
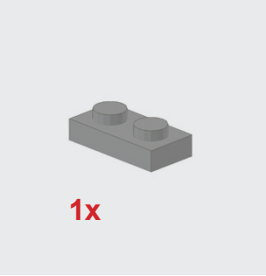
Two



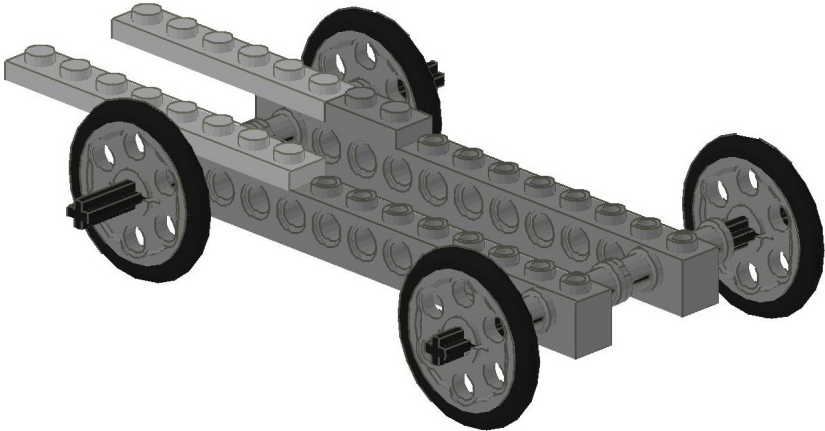
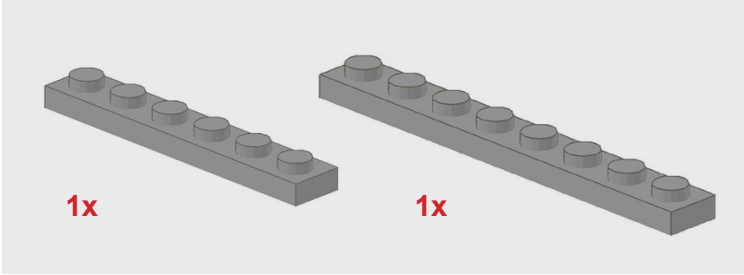
Three



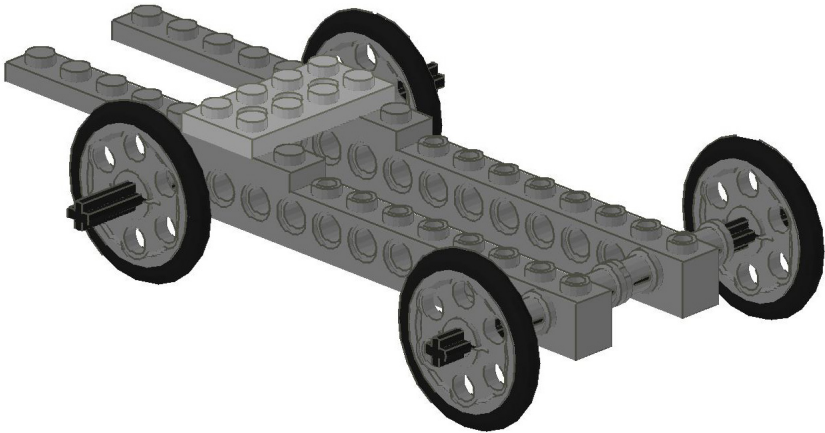
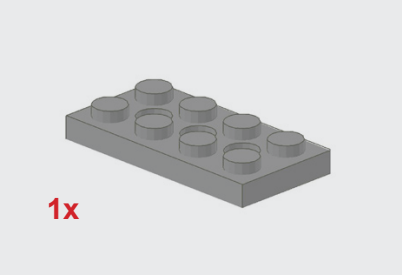
Four



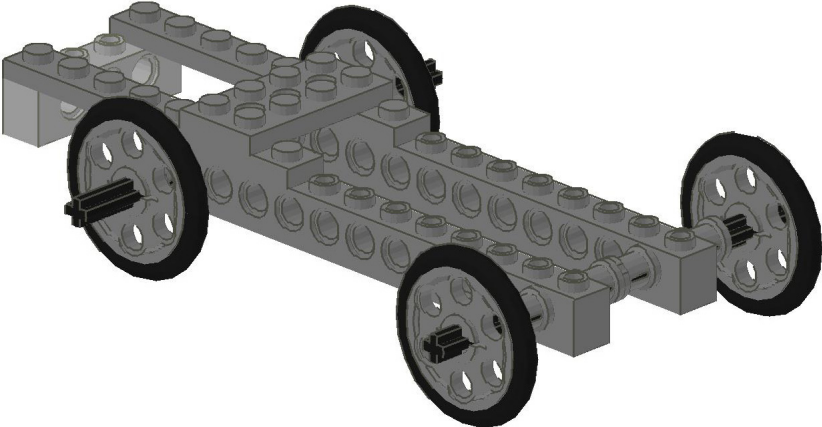
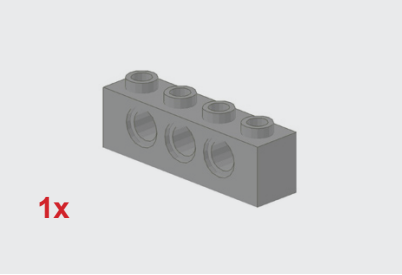
Five



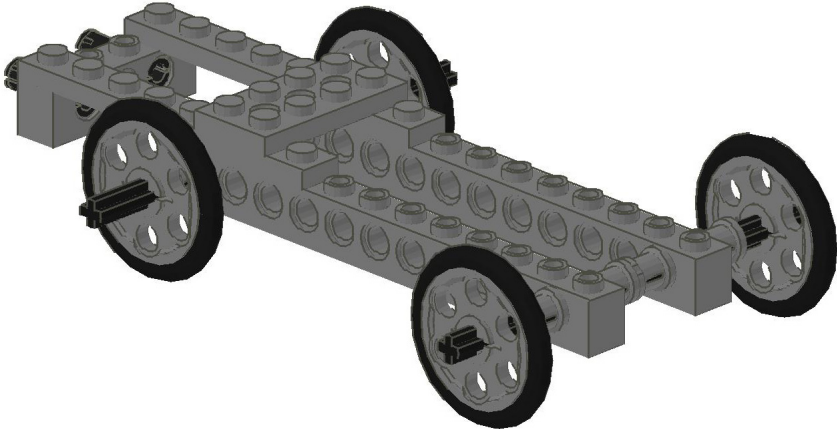
Six



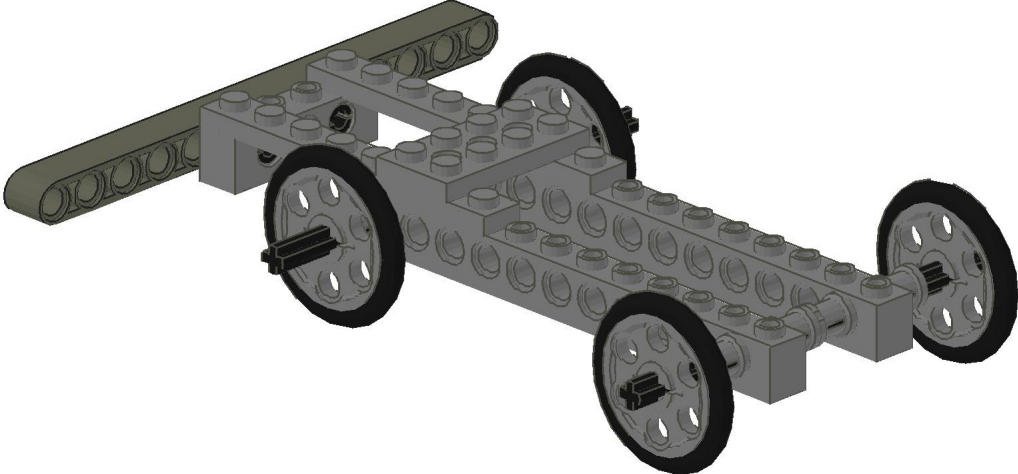
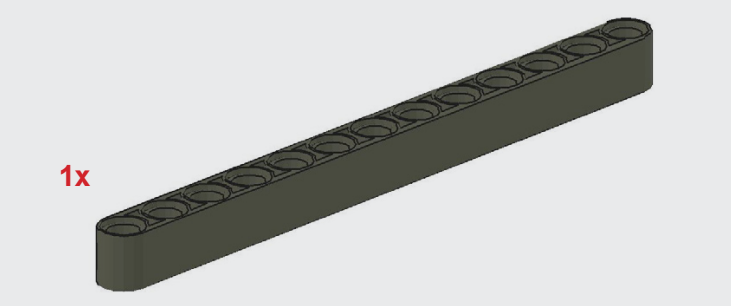
Seven



Eight



Nine



Ten



Attach paper theming to chassis and secure with tape.
The Moon Buggy is now complete.